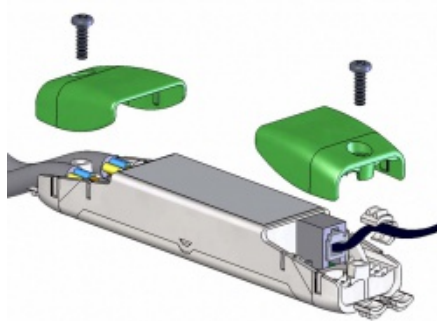


ECO CI KIT

Kod produktu: 56825



Dane techniczne:

- Product weight **20.00 g**
- Type of installation **Ceiling integration**

Areas of application

- OSRAM controllers with dimensions 118 mm x 30 mm x 21 mm

Product features

- Cable clamp kit for independent mounting

