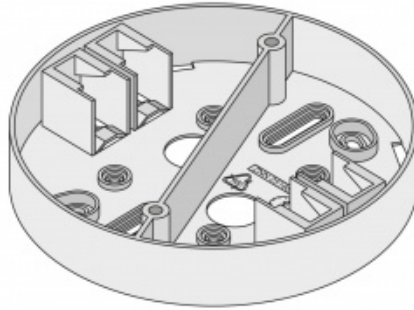


# Mounting adapters

Kod produktu: 56954



## Dane techniczne:

- Diameter **116.0 mm**
- Product weight **48.00 g**
- Type of installation **On-top ceiling mounting**
- Product color **White**

## Areas of application

- Adapter for surface mounted sensor elements with 116 mm diameter

## Product features

- Two separate wiring areas for input and output side

