

BVP120 LED120/NW S

Kod produktu: 58703



Dane techniczne:

- Dimmable **No [No]**
- Full product code **911401649002**
- Full product name **BVP120 LED120/NW S**
- Order code **911401649002**
- Order product name **BVP120 LED120/NW S**
- Pieces per pack **1**
- Bar code on outerbox - EAN3 **8710163295879**
- Bar code on pack - EAN1 **8710163295879**
- Packs per outerbox **1**
- Logistic code(s) - 12NC **911401649002**
- Net weight per piece **6.600 kg**
- Power factor **0.95 -**
- Product family code **BVP120 [BVP120]**
- Number of light sources **162 [162 pcs]**
- Lamp family code **LED120 [LED module 12,000 lm]**
- Light source color **NW [Neutral white]**
- Optic type **S [Symmetrical]**
- Optical cover/lens type **FG [Glass flat]**
- Ingress protection code **IP65 [Dust penetration-protected, jet-proof]**
- Input voltage **220-240 V [220 to 240 V]**
- Protection class IEC I **[Safety class I]**
- Mech. impact protection code **IK08 [5 J vandal-protected]**
- CE mark **CE [CE mark]**
- Light source replaceable **false [No]**
- Driver included **true [Yes]**
- Standard RAL color **9007 [Gray aluminum]**
- Housing material **ALU [Aluminum]**
- Input frequency **50-60 Hz [50 to 60 Hz]**
- Initial input power **120 W [120 W]**
- Initial luminous flux **12000 Lm**
- Init. Corr. Color Temperature **4000 [4000 K]**
- Driver failure rate at 5000 h **0.1 %**
- Ambient temperature range **-20 to +35 °C [-20 to +35 °C]**
- Average ambient temperature **T25 [+25 °C]**
- Number of gear units **1 [1 unit]**

- Constant light output **No [No]**
- Driver current **700 mA [700 mA]**
- Standard tilt angle posttop **0 [0°]**
- Optic material **PC [Polycarbonate]**
- Optical cover/lens material **G [Glass]**
- Median useful life L80B10 **50000 hr**

BVP120 - LED module 12,000 lm - Symmetrical

CoreLine Tempo is the first outdoor solution in the CoreLine range. Designed to replace conventional installations, it offers lower power consumption and requires less investment. A limited range of options makes it easy to find the best lux-for-lux replacement.

Features

Energy-efficient – system delivers over 100 lm/W

Asymmetrical and symmetrical optics

Philips-branded

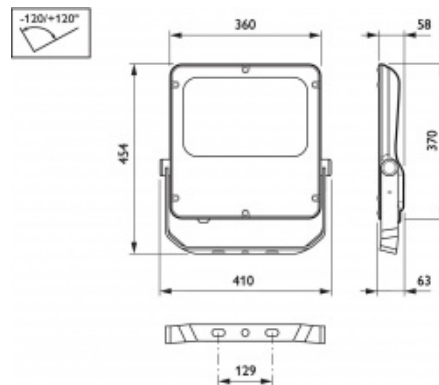
Applications

Industrial areas

Parking lots

Building façades

Billboards



IP 65

IK 08

CE

